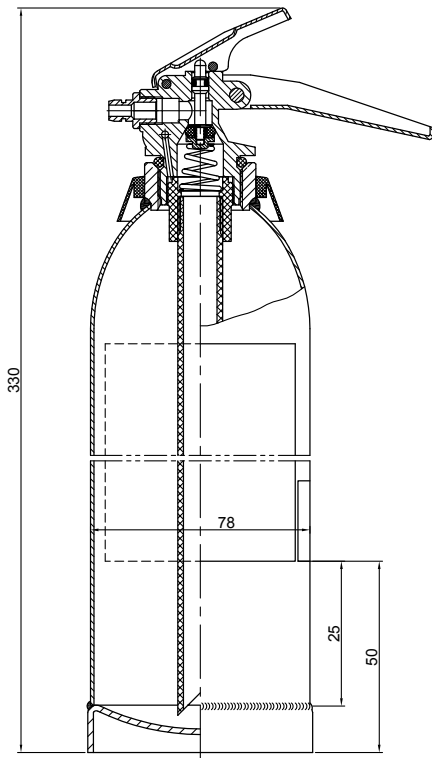




DRY CHEMICAL POWDER TYPE FIRE EXTINGUISHERS

Product Code	Component
A006.1	1.0Kg Dry Chemical Powder Type Fire Extinguisher
Description	Specifications
Charge	1.0Kg
Fire Extinguisher Complete Full Weight	1.98Kg
Fire Extinguisher Complete Empty Weight	0.98Kg
Cylinder Empty Weight	0.66Kg
Cylinder Length (mm)	270 ± 2
Out-cylinder diameter (mm)	78
Volume (L)	1.03
Min. Wall Thickness of Cylinder mm)	0.9
Material	ST13
Discharge Time	>6 sec.
Range of Discharge	3m
Corrosion Protection	L
Working Pressure	1400kPa
Hydrostatic Test Pressure	2100kPa
Bursting Pressure of Cylinder	>5500kPa
Safety Device	2100 ~ 2600kPa
Size / Type of Pressure Gauge Fitted	1/8" NPT / Bourdon Tube
Fire Rating	5A 21B
Working Temperature	-30°C ~ +60°C
Packing Size (cm)	10.5 x 9.5 x 34
SABS Specification	SANS 1910
SABS Permit No.	9068 / 14364



Cross-section

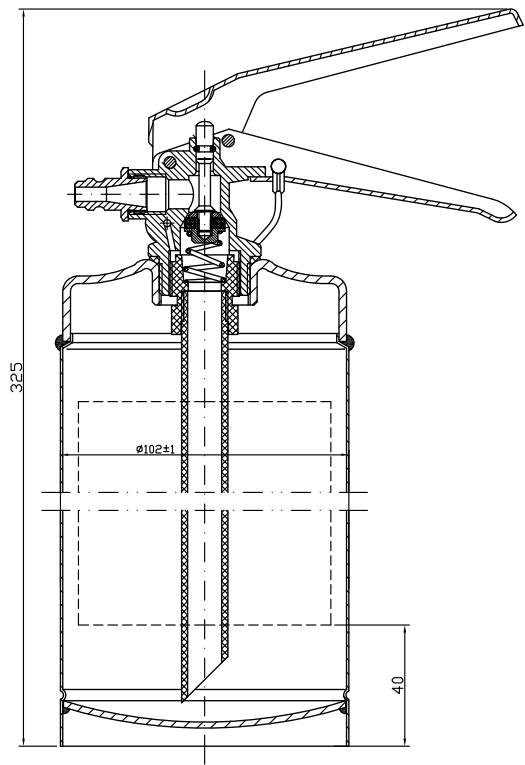
1. Carry handle
2. Operating handle
3. Valve housing
4. Trim ring
5. O ring
6. Neck ring
7. Cylinder body
8. Bottom
9. Pressure gauge
10. Nozzle
11. O ring
12. Plunger spindle
13. Plunger seal
14. Nut
15. Spring
16. Siphon seat
17. Siphon tube
18. Safety relief retainer
19. Release spring
20. Release seat
21. Release gland
22. Rivet
23. Rivet
24. Safety pin
25. Safety pin strap



Expanded View



Product Code	Component
A007.2	1.5Kg Dry Chemical Powder Type Fire Extinguisher
Description	Specifications
Charge	1.5Kg
Fire Extinguisher Complete Full Weight	2.9Kg
Fire Extinguisher Complete Empty Weight	1.4Kg
Cylinder Empty Weight	1.2Kg
Cylinder Length (mm)	237±2
Out-cylinder diameter (mm)	102±1
Volume (L)	1.6
Min. Wall Thickness of Cylinder (mm)	>1.04
Material	ST12
Discharge Time	8 sec.
Range of Discharge	3m
Corrosion Protection	L
Working Pressure	1400kPa
Hydrostatic Test Pressure	2100kPa
Bursting Pressure of Cylinder	>5500kPa
Safety Device	2100 ~ 2600kPa
Size / Type of Pressure Gauge Fitted	1/8" NPT / Bourdon Tube
Fire Rating	5A 21B
Working Temperature	-30°C ~ +60°C
Packing Size (cm)	13.5 x 11.5 x 34.5
SABS Specification	SANS 1910
SABS Permit No.	9068/14364



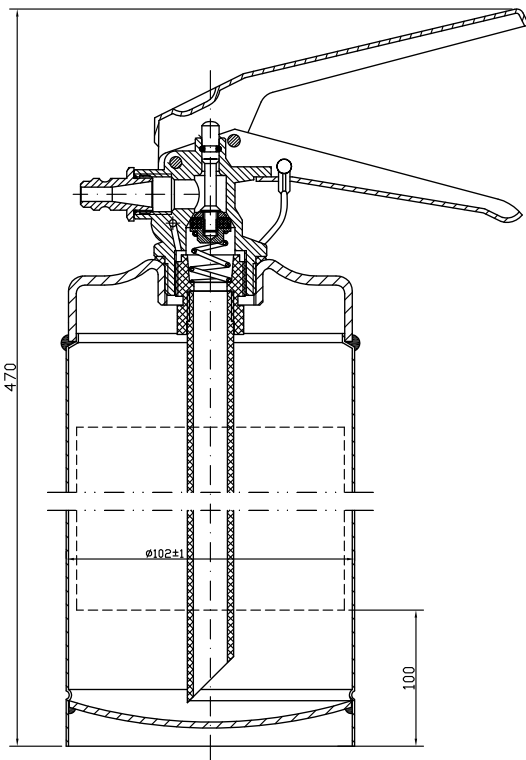
Cross-section



Expanded View



Product Code	Component
A009.3	2.5Kg Dry Chemical Powder Type Fire Extinguisher
Description	Specifications
Charge	2.5Kg
Fire Extinguisher Complete Full Weight	4.3Kg
Fire Extinguisher Complete Empty Weight	1.8Kg
Cylinder Empty Weight	1.6Kg
Cylinder Length (mm)	382±2
Out-cylinder diameter (mm)	102±1
Volume (L)	2.8
Min. Wall Thickness of Cylinder mm)	>1.04
Material	ST12
Discharge Time	10 sec.
Range of Discharge	4m
Corrosion Protection	L
Working Pressure	1400kPa
Hydrostatic Test Pressure	2100kPa
Bursting Pressure of Cylinder	>5500kPa
Safety Device	2100 ~ 2600kPa
Size / Type of Pressure Gauge Fitted	1/8" NPT / Bourdon Tube
Fire Rating	8A 34B
Working Temperature	-30°C ~ +60°C
Packing Size (cm)	13.5 x 12.5 x 48.5
SABS Specification	SANS 1910
SABS Permit No.	9068/14364



Cross-section

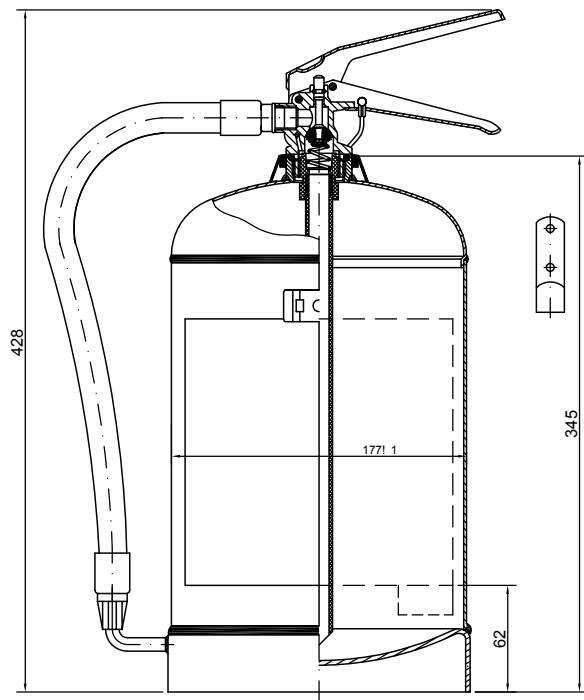
1. Carry handle
2. Operating handle
3. Valve housing
4. O ring
5. Plunger spindle
6. Plunger O ring
7. Plunger seal
8. Nut
9. Spring
10. Siphon seat
11. Siphon tube
12. O ring
13. Upper
14. O ring
15. Nozzle
16. Cylinder body
17. Bottom
18. Safety pin
19. Pressure gauge
20. Filter
21. Release gland
22. Release seat
23. Release spring
24. Safety relief retainer
25. Rivet
26. Safety pin strap



Expanded View

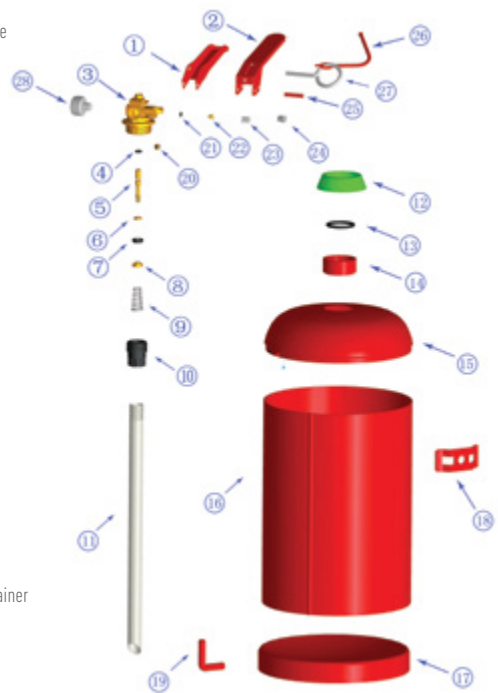


Product Code	Component
A0010.2	4.5Kg Dry Chemical Powder Type Fire Extinguisher
Description	Specifications
Charge	4.5Kg
Fire Extinguisher Complete Full Weight	7.8Kg
Fire Extinguisher Complete Empty Weight	3.3Kg
Cylinder Empty Weight	2.9Kg
Cylinder Length (mm)	345±2
Out-cylinder diameter (mm)	177±1
Volume (L)	6.28
Min. Wall Thickness of Cylinder (mm)	1.5
Material	ST12
Discharge Time	10 sec.
Range of Discharge	4m
Corrosion Protection	L
Working Pressure	1400kPa
Hydrostatic Test Pressure	2100kPa
Bursting Pressure of Cylinder	>5500kPa
Safety Device	2100 ~ 2600kPa
Size / Type of Pressure Gauge Fitted	1/8" NPT / Bourdon Tube
Fire Rating	13A 89B
Working Temperature	-30°C ~ +60°C
Packing Size (cm)	19 x 19 x 45
SABS Specification	SANS 1910
SABS Permit No.	9068/14364



Cross-section

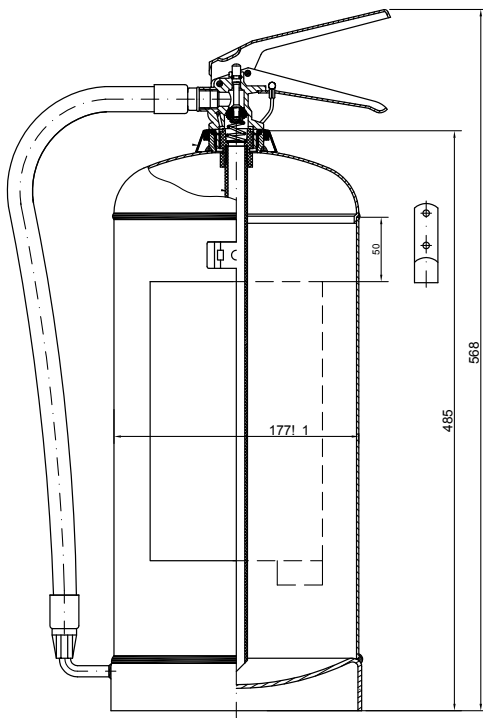
1. Carry handle
2. Operating handle
3. Valve housing
4. O ring
5. Plunger spindle
6. Plunger O ring
7. Plunger seal
8. Nut
9. Spring
10. Siphon seat
11. Siphon tube
12. Trim ring
13. O ring
14. Neck ring
15. Upper
16. Cylinder body
17. Bottom
18. Bracket
19. Hook
20. Filter
21. Release gland
22. Release seat
23. Release spring
24. Safety relief retainer
25. Rivet
26. Safety pin strap
27. Safety pin
28. Pressure gauge



Expanded View



Product Code	Component
A011	9.0Kg Dry Chemical Powder Type Fire Extinguisher
Description	Specifications
Charge	9.0Kg
Fire Extinguisher Complete Full Weight	13.3Kg
Fire Extinguisher Complete Empty Weight	4.3Kg
Cylinder Empty Weight	3.9Kg
Cylinder Length (mm)	485±2
Out-cylinder diameter (mm)	177±1
Volume (L)	9.8
Min. Wall Thickness of Cylinder (mm)	1.5
Material	ST12
Discharge Time	>12 sec.
Range of Discharge	8m
Corrosion Protection	L
Working Pressure	1400kPa
Hydrostatic Test Pressure	2100kPa
Bursting Pressure of Cylinder	>5500kPa
Safety Device	2100 ~ 2600kPa
Size / Type of Pressure Gauge Fitted	1/8" NPT / Bourdon Tube
Fire Rating	27A 144B
Working Temperature	-30°C ~ +60°C
Packing Size (cm)	19 x 19 x 59
SABS Specification	SANS 1910
SABS Permit No.	9068/14364



Cross-section

1. Carry handle
2. Operating handle
3. Valve housing
4. O ring
5. Plunger spindle
6. Plunger O ring
7. Plunger seal
8. Nut
9. Spring
10. Siphon seat
11. Siphon tube
12. Trim ring
13. O ring
14. Neck ring
15. Upper
16. Cylinder body
17. Bottom
18. Bracket
19. Hook
20. Filter
21. Release gland
22. Release seat
23. Release spring
24. Safety relief retainer
25. Rivet
26. Safety pin strap
27. Safety pin
28. Pressure gauge



Expanded View