



INSTALLATION INSTRUCTIONS FOR PYROGUARD PORTABLE REFILLABLE FIRE EXTINGUISHERS – SANS 1910

1. Locating and mounting of extinguisher

1.1. SANS 10105-1: 6.2

As the operation of extinguishers is affected by temperature, to prevent the possibility of failure, extinguishers shall not be exposed to temperatures higher than 55°C or lower than - 20°C, unless otherwise specified or allowed by the manufacturer.

1.2. SANS 10105-1: 6.3

Although extinguishers have a fairly high corrosion resistance, they shall not be positioned where they may be exposed to the elements, to unduly corrosive atmospheres or to splashing by corrosive liquids, except in specific pre-determined cases.

1.3. Mounting location on wall or vehicle

1.3.1. The extinguisher must be visible

1.3.2. The extinguisher must be easily reached

1.3.3. The extinguisher should not be placed where a vehicle fire is likely to make it unreachable

1.3.4. Mounting extinguisher on vehicle, select a location that is relative safe from falling rocks in the mining industry or where minor collisions are not likely to cause damage

1.3.5. Mounting extinguisher on wall, select a solid surface using strong screws or fasteners (not included)

1.3.6. Avoid locations where grease or oil could build up on the extinguisher and bracket

1.3.7. On a vehicle select a mounting surface which is strong enough to maintain the weight of the extinguisher and bracket

1.3.8. Avoid locations too near the engine, manifold or any other heat source which may expose extinguisher to excessive temperatures which is detrimental to its operation

2. Bracket Installation.

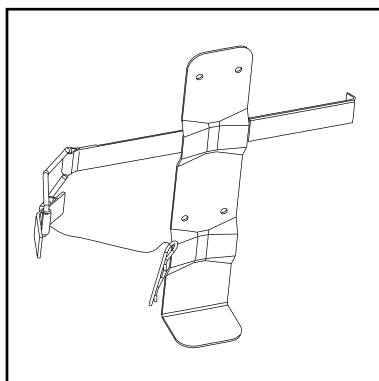
2.1. Portable sizes from 1kg to 2.5kg dry chemical powder extinguishers with plastic or metal vehicle bracket

Plastic or metal vehicle brackets are provided with two mounting holes in the back frame of bracket. Acceptable mounting positions for plastic brackets are (Vertical) upright only. For metal brackets are (vertical)upright, to lying down (horizontal) or any degree between. Drill the four fixing holes at the desired location, place the vehicle bracket over the holes insert the four fixing bolts into the holes and tighten. Secure extinguisher into vehicle bracket.

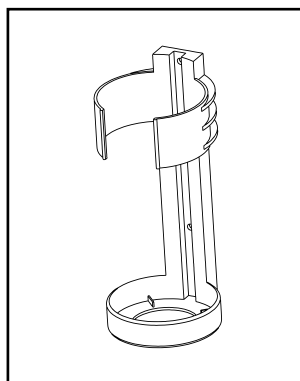
2.2. Portable sizes from 1.5kg to 9kg dry chemical powder extinguishers with, J bracket or Z bracket. Uni brackets are available on request.

J-brackets or Z-brackets are provided with 2 mounting holes in the steel mounting bracket. Acceptable mounting positions are >1.5m above the floor. Using the mounting bracket furnished with the extinguisher. Drill the two fixing holes at the desired location, place the steel mounting bracket over the holes insert the two fixing bolts into the holes and tighten. Hang extinguisher onto mounting bracket.

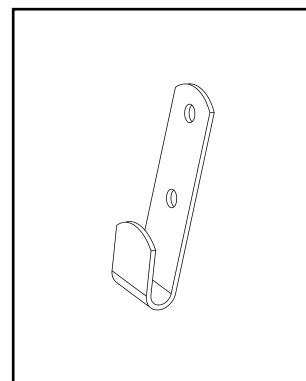
2.3. Various types of brackets supplied with extinguishers



Metal vehicle bracket



Plastic vehicle bracket



J-wall mounting bracket